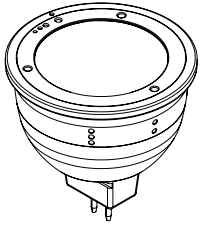


SPECIFICATIONS

TRITUNE MR16 Operation Manual



DO NOT FORCE THE ADJUSTMENT RINGS

Electrical

Input Voltage	12 V
Power	6.5W
Frequency	50/60 Hz
Power Factor	>0.9
Dimming	YES

Optical

Total Flux	450 lm
STD CCT	2700K/4000K/6500K
STD CRI	≥80
Beam Angle	20°/25°/40°/50°
CBCP	1700 cd @20°

Other

Lamp Base	GU5.3
Operation Temperature	-20-40°C
Storage Temperature	-20-70°C

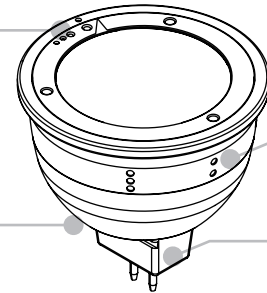


MR16: STOP AT EACH DETENT

Over-rotation will damage beam-angle ring, CCT mechanism, or housing.
Turn gently to the next fixed position, then stop.

Tune Angle

Front lens ring · 20°/25°/40°/50°



Tune White

Mid CCT ring · 3-step 2700K/4000K/6500K

Tune Brightness

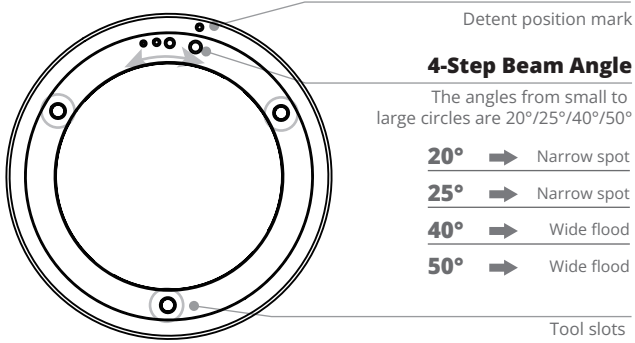
Dimmable PSU (body)

Base

GU5.3

Product Anatomy — Three Adjustment Zones

1 ADJUST BEAM ANGLE



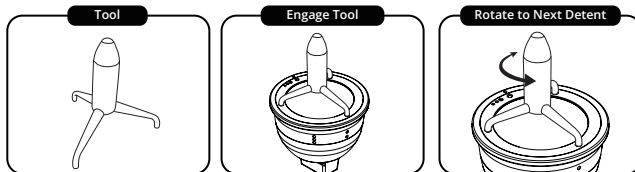
Detent position mark

4-Step Beam Angle

The angles from small to large circles are 20°/25°/40°/50°

- 20° → Narrow spot
- 25° → Narrow spot
- 40° → Wide flood
- 50° → Wide flood

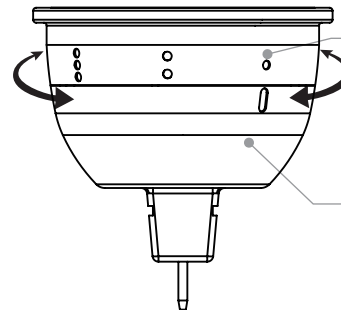
Tool slots



- 1 POWER OFF AND COOL**
Switch off power and allow at least 5 minutes to cool.
- 2 HOLD THE LAMP BODY**
Keep one hand on the body. Do not hold or twist the GU5.3 pins.
- 3 ENGAGE THE TOOL**
Insert the tool fully into the front-ring slots.
- 4 MOVE ONE DETENT ONLY**
Rotate gently to 20, 25, 40, or 50 degrees. Stop at the click or position mark.

2 ADJUST COLOR TEMPERATURE

Rotate mid CCT ring (3-step)



3-Step Color Temperature

Rotate mid CCT ring (3-step)

- **2700K** Warm white
- **4000K** Neutral white
- **6500K** Cool white

Detent position mark

Forcing over-rotation would permanently damage the lamp.

Stop and do not force the rotation if it fails to turn. Confirm that the lamp is cool, the correct ring is being held firmly.
If the ring still does not move, contact BLTC or your distributor.

- 1 POWER OFF AND COOL**
Do not adjust while the lamp is powered or hot.
- 2 GRIP THE MID CCT RING**
Hold the lamp body steady with the other hand.
- 3 MOVE ONE DETENT ONLY**
Select 2700K, 4000K, or 6500K. Stop when the position mark aligns.
- 4 STOP IF RESISTANCE INCREASES**
Never force the ring past its fixed stop. Return to the previous detent and try again gently.

3 QUICK TROUBLESHOOTING

Lamp does not light

Check power, 12V transformer, and pin contact.

Lamp flickers

Use an LED-compatible transformer and dimmer.

Angle ring does not move

Power off, cool, fully engage the tool, then try one detent gently.

CCT ring does not move

Hold the body, turn only the mid ring, and stop if resistance increases.

4 LIMITED WARRANTY

BLTC warrants this product against defects in materials and workmanship for 2 years from the date of purchase under normal use and installation.

Not covered: damage from incorrect voltage or incompatible dimmers/drivers, unauthorized disassembly, misuse, outdoor installation without a rated enclosure, or normal lumen depreciation.

For service, contact your distributor or BLTC with proof of purchase and the model number.